

# atnip Design & Supply

**Fuel:** What type of fuel are you interested in heating with?

- Wood     Gas (NG)     Gas (LP)

**Heater Type:** What type of fuel are you interested in heating with?

- Fireplace Insert     Built-In Fireplace

**Heating Area:** How big on an area do you wish to heat?

My home is more than one story:  Yes     No

I want to heat my entire home: Size of home (sq. ft.) \_\_\_\_\_

I only want to heat part of my home: Size of area (sq. ft.) \_\_\_\_\_

How high is the ceiling in the room the heater will be installed in? \_\_\_\_\_

How many windows are in the room in which the heater will be installed? \_\_\_\_\_

**If you are interested in a Freestanding Stove:**

Where in the home do you want to install the stove? \_\_\_\_\_

Are you replacing an old stove or adding a new one? \_\_\_\_\_

If you are interested in a gas stove, do you want the chimney to exit through the roof or through the exterior wall? \_\_\_\_\_

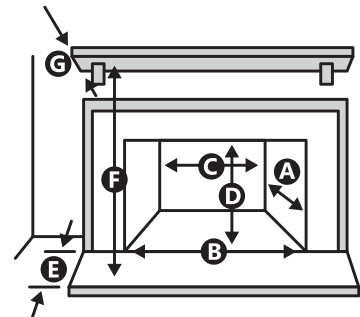
**If you are interested in a Fireplace Insert:**

Is your fireplace masonry or metal (zero clearance)? \_\_\_\_\_

Where is the existing fireplace located in your home? \_\_\_\_\_

Please write down the following measurements or your existing fireplace:

- |                             |                           |
|-----------------------------|---------------------------|
| A. Depth of Fireplace _____ | E. Hearth Extension _____ |
| B. Width in Front _____     | F. Height to Mantel _____ |
| C. Width at Back _____      | G. Depth of Mantel _____  |
| D. Height of Opening _____  |                           |



**If you are interested in a Fireplace:**

Is the fireplace for new construction or a remodel? \_\_\_\_\_

Where in the house do you want to install the fireplace? \_\_\_\_\_

Do you want to vent/heat into other rooms? \_\_\_\_\_

Do you want a raised hearth?  Yes     No

**Roofing & Insulation Questions:**

Does your roof have shingles or metal roofing? \_\_\_\_\_

Do you know your roof pitch? \_\_\_\_\_

Will you be using spray foam insulation? \_\_\_\_\_